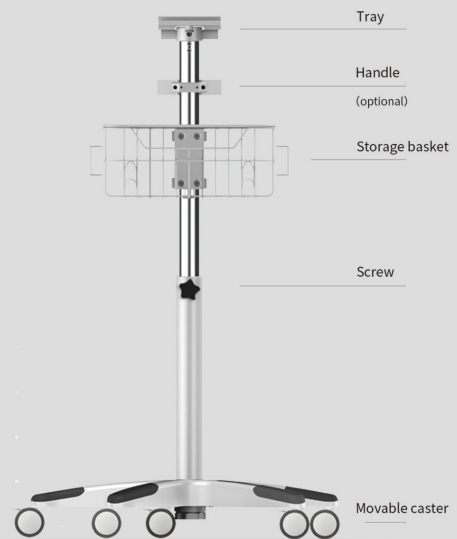




CONTEC

Stock Code:300869



TROLLEY MT-F101

Contec Medical Systems Co.,Ltd.

ADD:No.112 Qinhuang West Street, Economic & Technical Development Zone,
Qinhuangdao, Hebei Province, PEOPLE'S REPUBLIC OF CHINA
Tel: +86-335-8015430
Fax: +86-335-8015588
E-mail: cms@contecmed.com.cn
Website: <http://www.contecmed.com>

CONTEC reserves the right of product appearance, specifications and function modification and updating,
without prior notification.



MT-F101 TROLLEY



Convenient to move



Adjustable



High quality

It is a medical device bracket used on CMS800G Fetal Monitor manufactured by our company, features in: aluminium alloy materials, elegant and fashion in appearance; adjustable horizontal rotation; adjustable height, etc.

Function

- MT-F101 is applicable for using on CMS800G Fetal Monitor manufactured by our company.
- Horizontal rotation is adjustable.
- The height is adjustable.

Physical characteristic

- Horizontal rotation: $\leq 360^\circ$
- Height range: 850 mm ~ 1250 mm
- Maximum load: 30 Kg
- Product weight: 5 Kg
- Product dimension: 800 mm (L) \times 800 mm (W) \times 1250 mm (H)
- Packing dimension: 710 mm (L) \times 710 mm (W) \times 270 mm (H)
- Packing weight: 10 Kg

Accessories

- Allen wrench X3
- User manual X1
- Screw cooperated with monitor X4

Optional configuration

- Handle



MT-F101

